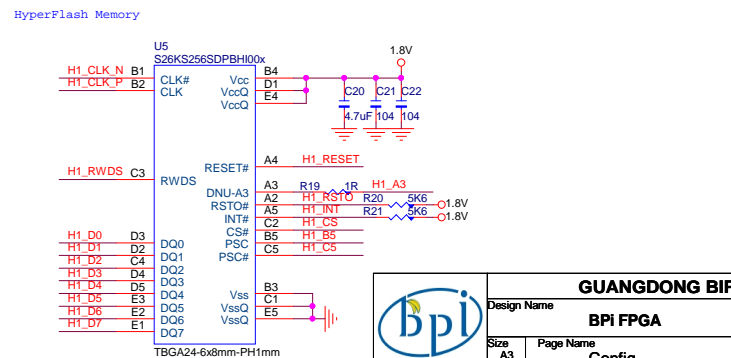
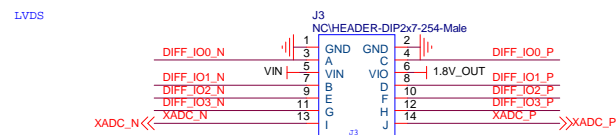
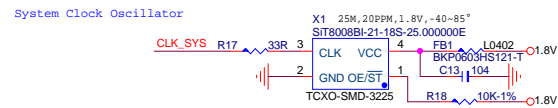
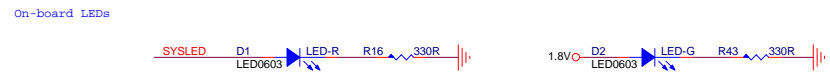
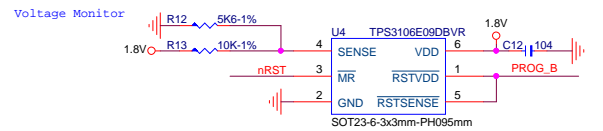
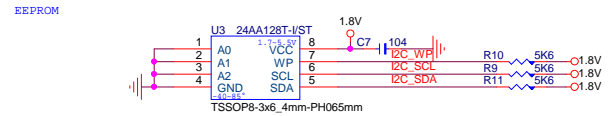
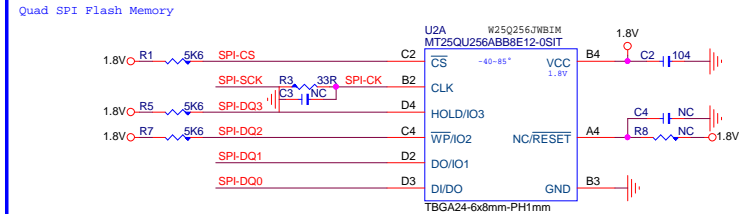
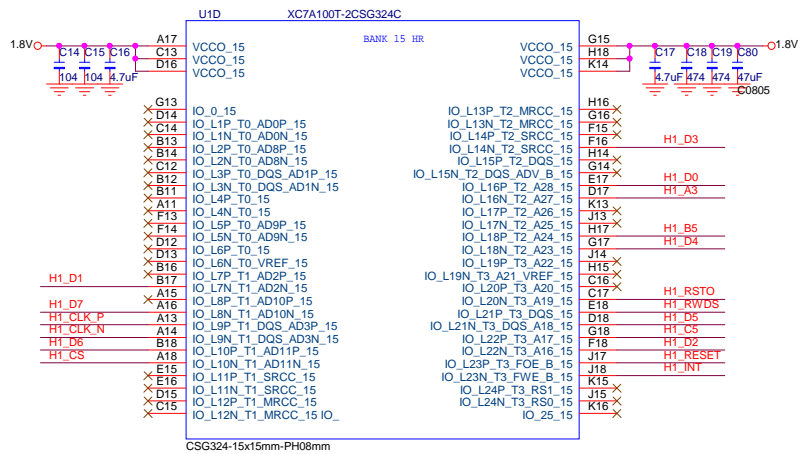
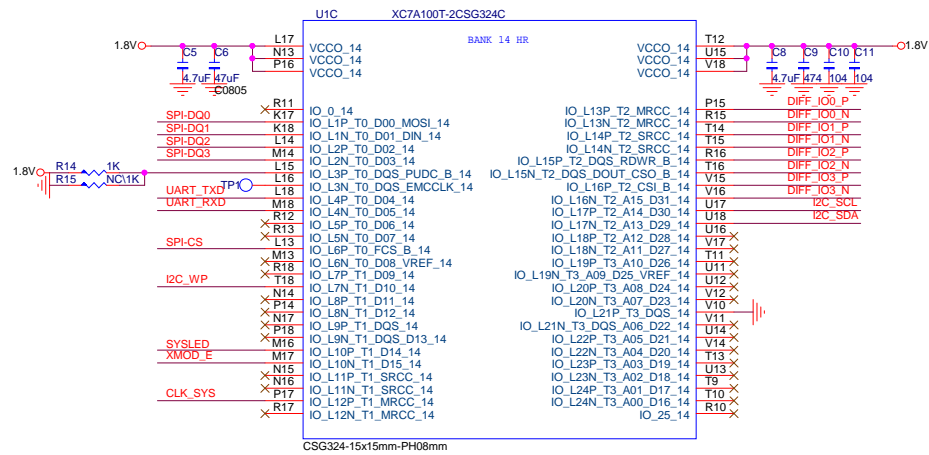
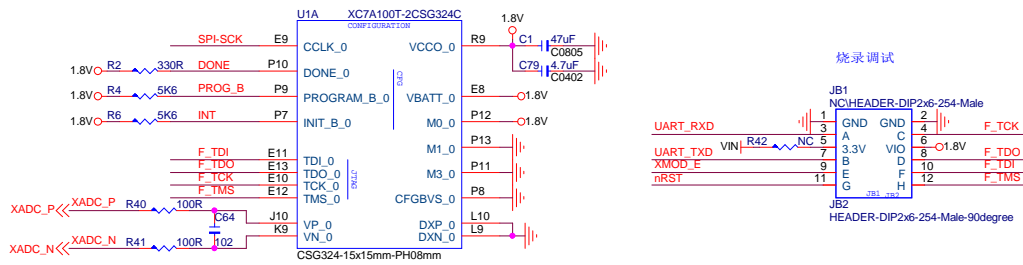
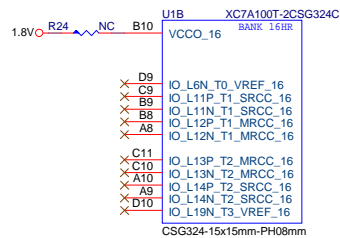
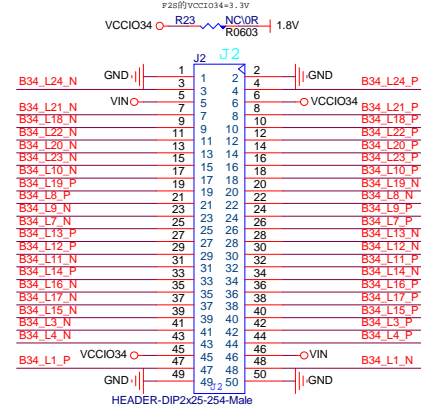
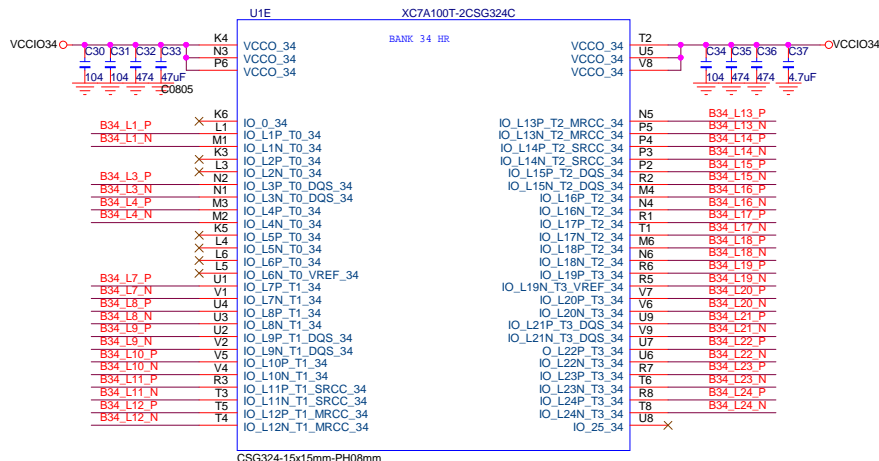
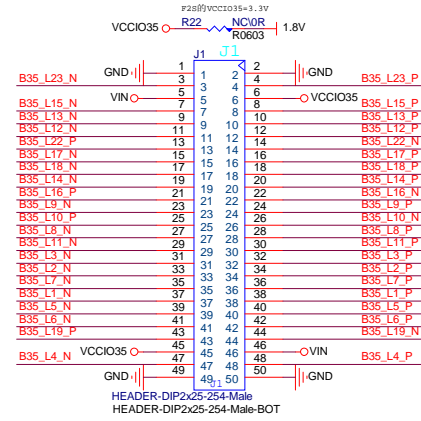
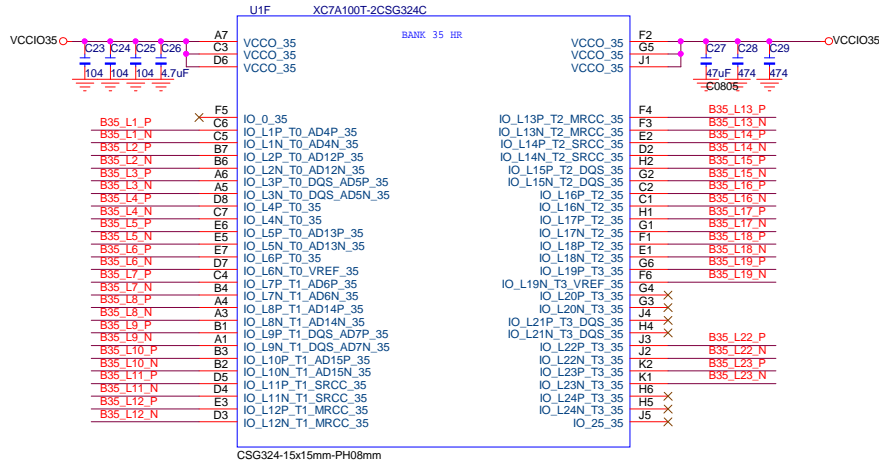


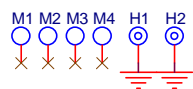
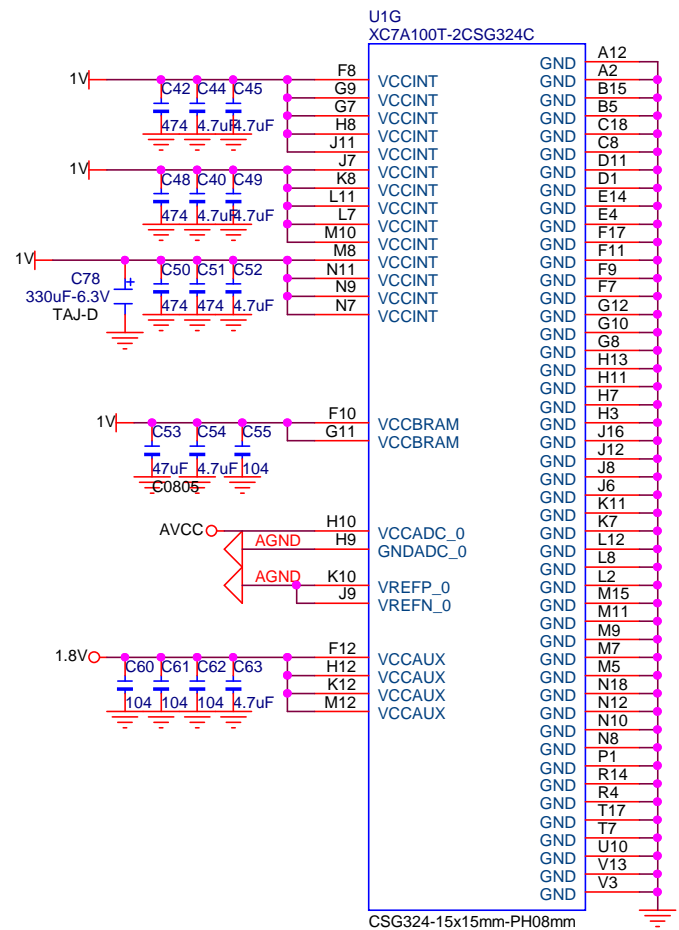
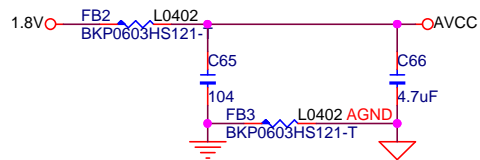
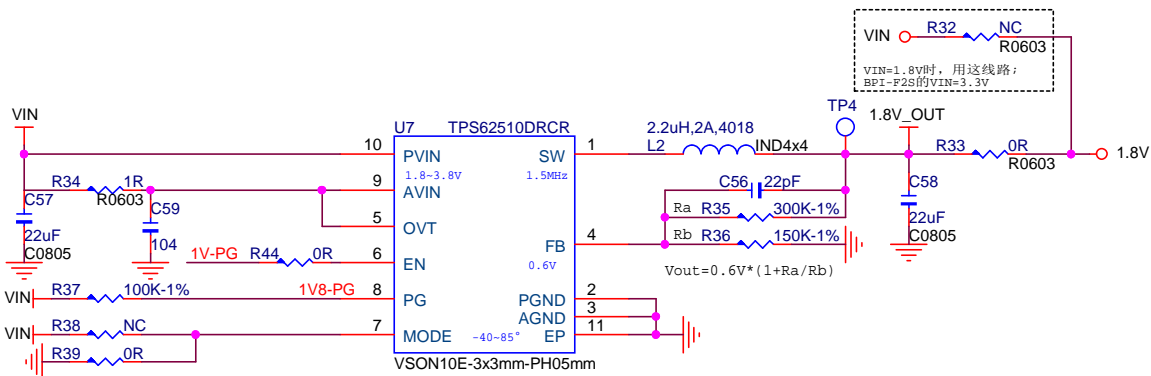
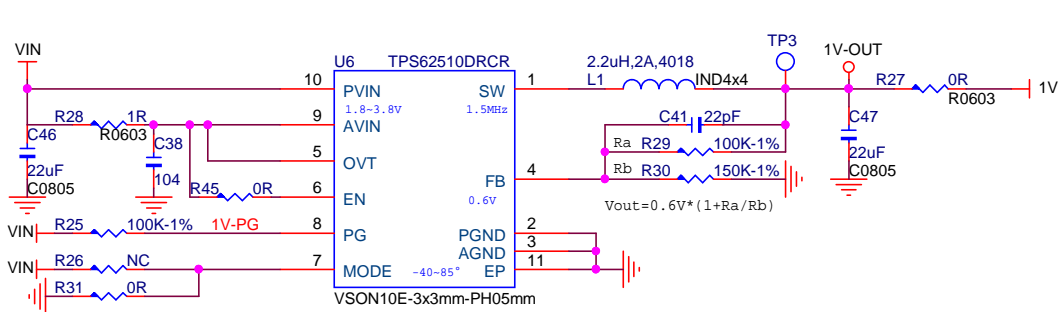
01 Config




02 IO



03 Power



				GUANGDONG BIPAI KEJI CPA.LTD			
				Design Name			
BPI FPGA							
Size	Page Name				Rev		
A4	Power				V00		
Date:			Monday, December 23, 2019		Sheet	3 of 4	

Note

Version	Date	Author	Description
V00	2019.12		Initial release